



Audi

HS RC-AU60V

HARDSTONE

HARDSTONE ITALIA

-----ITALY - MILANO - info@hardstone.it-----

Tutti i marchi riportati appartengono ai legittimi proprietari e sono stati utilizzati a puro scopo esplicativo ed a beneficio del possessore, senza alcun fine di violazione dei diritti di Copyright vigenti.

MAIN UNIT OF INTERFACE

| <p>1</p> | <p>2</p> | <p>3</p> | |
|-----------|----------|------------|--------|
| Car Brand | Model | Year Range | System |
| AUDI | A4, Q7 | 2016 | |

COMPONENTS(1)

1 MAIN UNIT



2 MAIN CABLE



3 RGB CABLE



4 IR CABLE



5 TOUCH CABLE



6 DS CABLE(A TYPE)



7 4PIN FILM



8 REMOTE CONTROL



9 CAPACITIVE TOUCH CABLE (PCMT6)



※ PURCHASE SEPARATELY ※

10 CAPACITIVE TOUCH GENDER



※ PURCHASE SEPARATELY ※

11 CAPACITIVE TOUCH BOARD



※ PURCHASE SEPARATELY ※

12 AUDI A4 CAPACITIVE TOUCH PANEL



※ PURCHASE SEPARATELY ※

13 HDMI CABLE



※ PURCHASE SEPARATELY ※

14 AV IN/OUT CABLE



※ PURCHASE SEPARATELY ※

15 AV GENDER CABLE



※ PURCHASE SEPARATELY ※

16 GENDER BOARD



※ PURCHASE SEPARATELY ※

COMPONENTS(2)

17 HDMI AUDIO CABLE



※ ONLY USE FOR HDMI MODULES ※

HOW TO CONNECT (SP60AH)

1

HDMI AUDIO CABLE

※ ONLY USE FOR HDMI MODULES ※

※ CAPACITIVE & RESISTIVE TOUCH SET (PURCHASE SEPARATELY) ※

CAPACITIVE TOUCH CABLE

TOUCH CABLE

4PIN FILM CABLE

CAPACITIVE TOUCH BOARD

CAPACITIVE TOUCH GENDER

AUDI A4 CAPACITIVE TOUCH PANEL

AV GENDER CABLE

AV GENDER BOARD

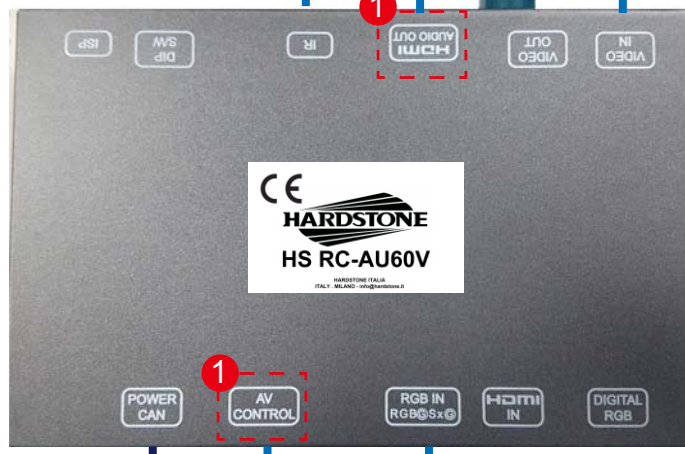
AV IN/OUT CABLE

※ IT WILL BE USED WHEN YOU USE MORE THAN TWO AV INPUTS ※

POWER CABLE

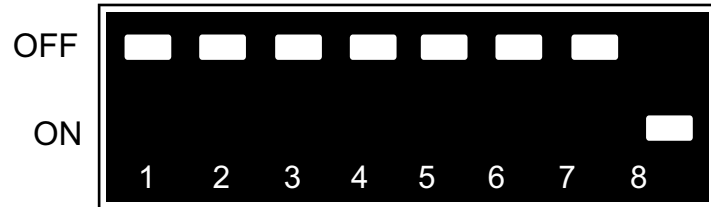
RGB CABLE

※ 1 ONLY USE FOR HMDI MODULES ※



DIP S/W

OFF : ↑ (UP) / ON : ↓ (DOWN)



| PIN | FUNCTION | DIP S/W SETTING |
|-----|--------------------|---|
| 1 | GPS INPUT MUTE | OFF : DO NOT USE GPS ON : USE GPS |
| 2 | VEHICLE SETTING | |
| 3 | VEHICLE SETTING | |
| 4 | REAR CAMERA | OFF : OEM CAMERA ON : AFTERMARKET CAMERA |
| 5 | VEHICLE SETTING | |
| 6 | VEHICLE SETTING | |
| 7 | RESOLUTION SETTING | OFF : RESOLUTION 800 ON : RESOLUTION 480 |
| 8 | | ON |

SP60A SPEC

1. INPUT SPEC

- 1 x ANALOG RGB INPUT(GPS SYSTEM OUTPUT)
- 1 x LVDS INPUT
- 1 x LVDS OUTPUT
- 1 x CVBS(REAR CAMERA)
- 1 x CVBS(FRONT CAMERA OR AV)
- 1 x HDMI(THE MODEL WHICH COMPATIBLE WITH HDMI)
- 3 x A/V INPUT(OPTION)

2. OUTPUT SPEC

- 1 x CVBS
- 1 x AUDIO L/R

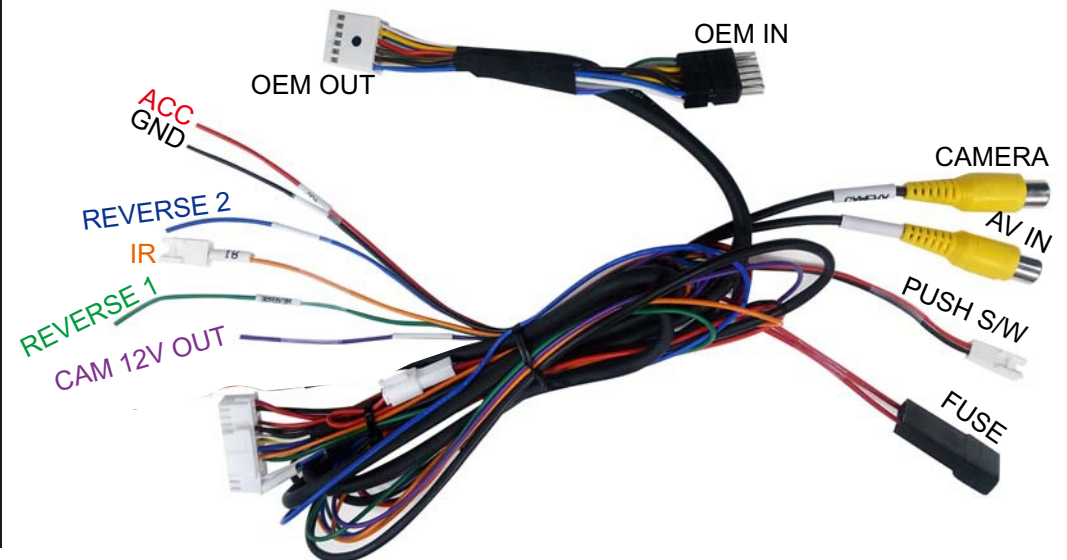
3. POWER SPEC

- INPUT POWER : 8VDC ~ 24VDC
- CONSUMPTION : 5WATT

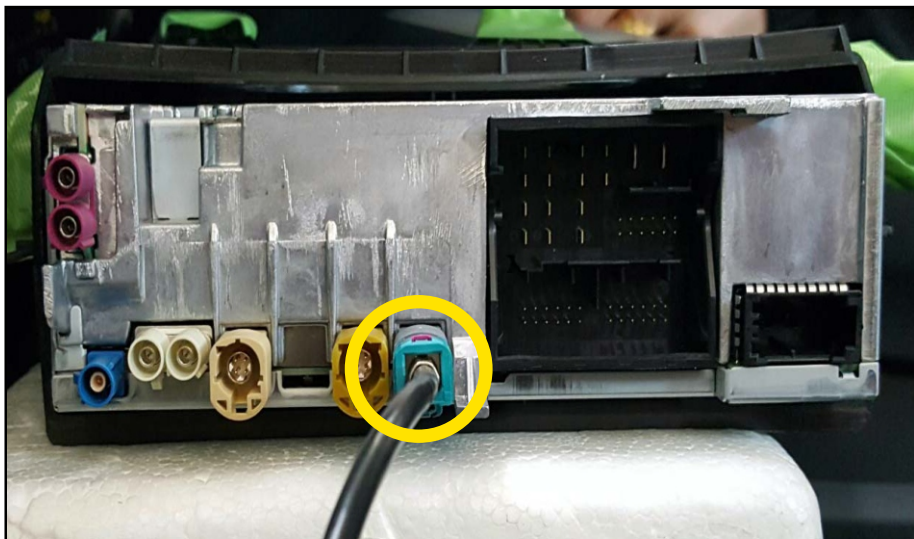
4. SIZE

- 154*98*20mm(WIDTH*LENTH*HEIGHT)

5. POWER 24PIN



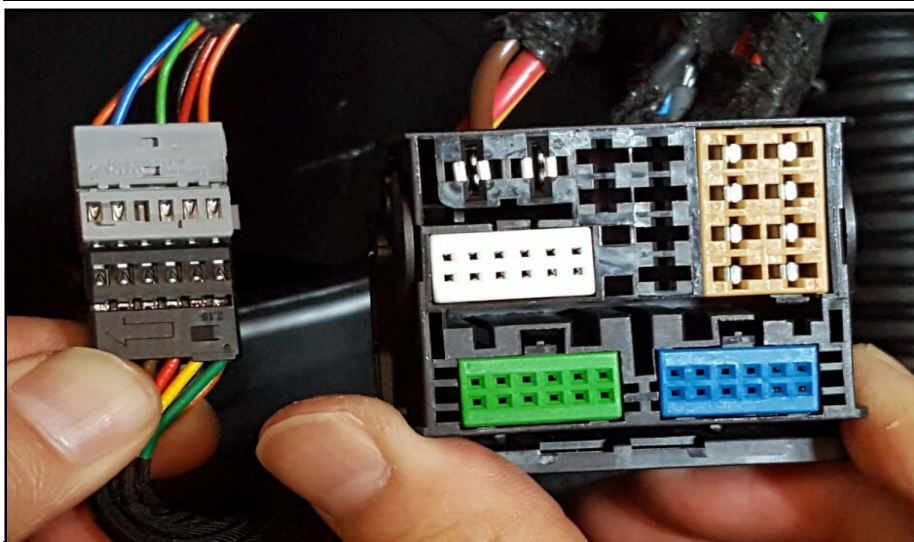
HOW TO CONNECT



1. PLEASE INSERT VIDEO IN OF INTERFACE INTO WHITE OEM GENDER.



2. PLEASE INSERT CONNECTOR OF INTERFACE WITH THE BLACK POINT IN THE UPWARD DIRECTION.



3. PICTURE OF CONNECTING CABLE.



4. PICTURE OF CONNECTING CABLE ON INTERFACE.

HOW TO SWITCH SCREEN

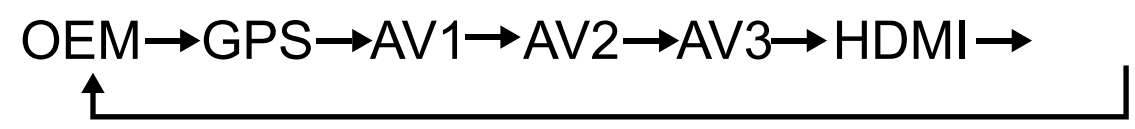


1

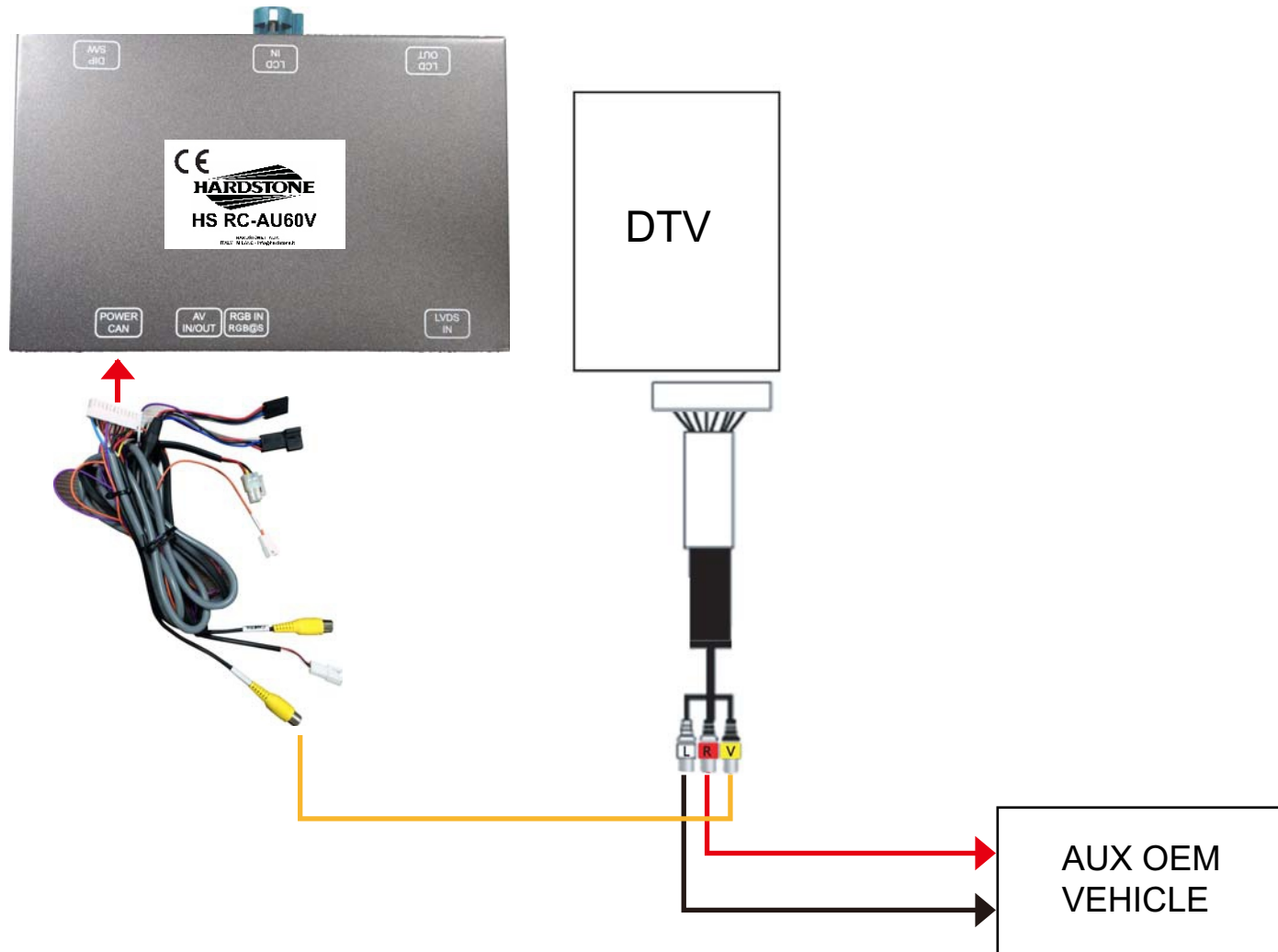
SCREEN WILL SWITCH WHEN YOU PRESS FOR **A** SECONDS

2

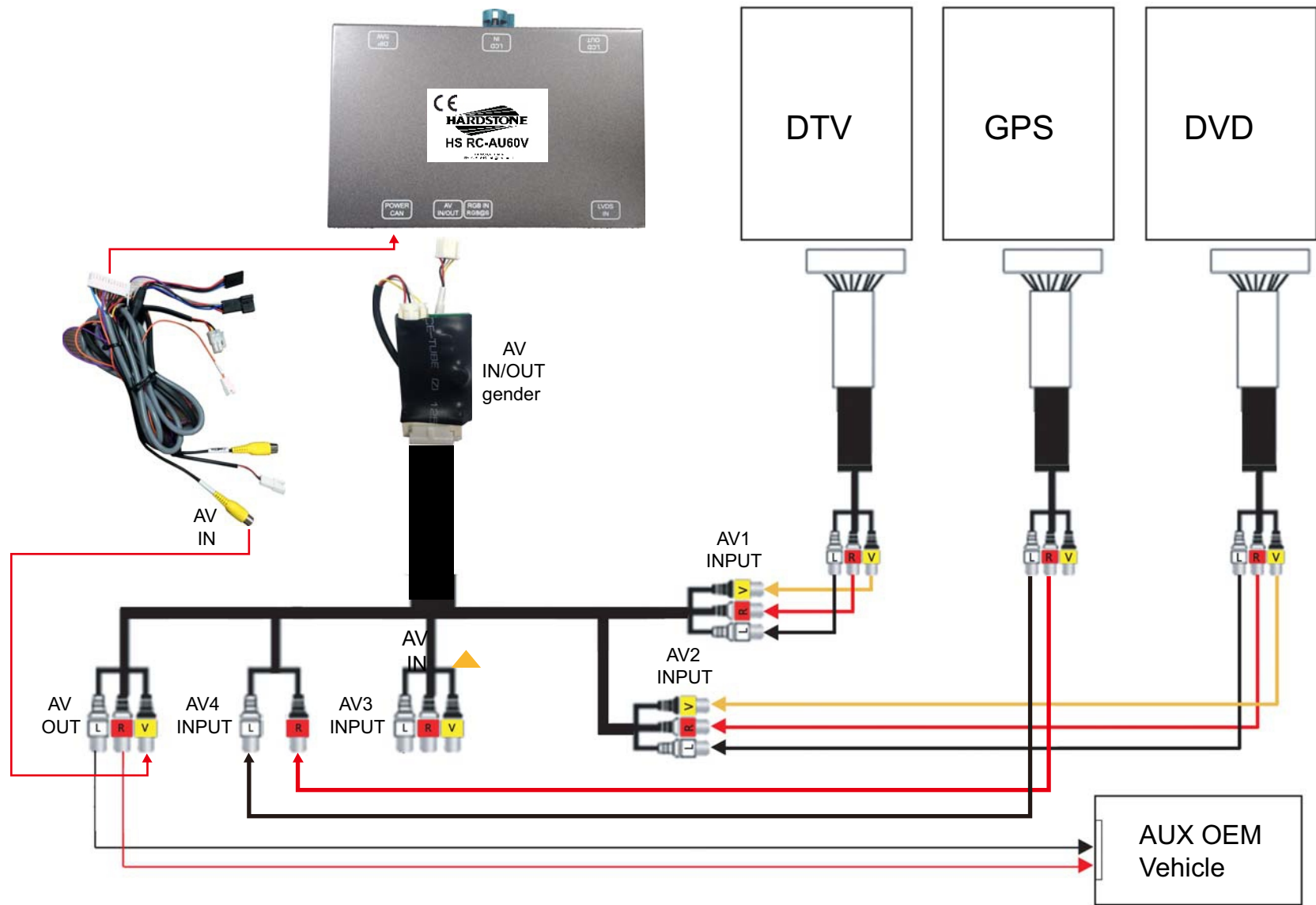
SCREEN WILL SWITCH WHEN YOU PUSH UP **B**



HOW TO CONNECT VIDEO AUDIO WHEN YOU ONLY USE ONE AV INPUT



HOW TO CONNECT VIDEO AUDIO WHEN YOU USE MORE THAN 2 AV INPUTS



HOW TO CONNECT CAPACITIVE & RESISTIVE TOUCH

※HOW TO CONNECT CAPACITIVE TOUCH※

※HOW TO CONNECT RESISTIVE TOUCH※

NAVI BOX

AUDI A4 CAPACITIVE TOUCH PANEL

RESISTIVE TOUCH PANEL

4PIN FILM

CAPACITIVE TOUCH GENDER

4PIN TOUCH CABLE

CAPACITIVE 6PIN

RESISTIVE 4PIN

POWER

CAPACITIVE 4PIN

4PIN RESISTIVE TOUCH CABLE (TC104)

CAPACITIVE TOUCH CABLE (PCMT6)

TC10 TOUCH BOARD

