

HARDSTONE



SERIE «HD»

1.8Ghz

Designed & Engineered in Italy



GPS 10.2"



HS HD1072 Hyundai Tucson (2015)

SINTOLETTORE DECKLESS SISTEMA ANDROID 4.4
 1.8GHZ QUAD CORE - DDR3 1GB - 16GB ROM - RADIO - GPS - BLUETOOTH 4.0 - A2DP
 LETTORE AV USB SD CARD - AUDIO:MP3-WMA-WAV-OGG-FLAC
 VIDEO:MP4 1080P-AVI-WMV-RMVB-FLV-MKV-MOV-3GP-1080P H.265-264-MPG
 180W (4X45W) - REGOLAZIONE SEPARATA VOLUMI AUDIO - EQ 7 MEMORIE
 LCD 10.2" 1024X600 - INGRESSO RETROCAMERA
 CANBUS BOX - COMANDI AL VOLANTE - ANDROID & IOS MIRROR LINK (E-CARLINK)
 RUBRICA TELEFONICA CON RICERCA ALFANUMERICA
 PREDISPOSTO: DVR DEDICATO - TPMS (PRESSIONE PNEUMATICI)
 FULL TOUCHSCREEN - WIFI - 3G-4G

Wi-Fi



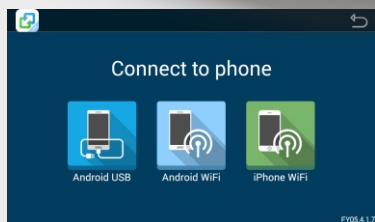
Caratteristiche:

Unità esteticamente creata su base originale (custom fit) e compatibile con le funzioni della vettura.
 Versione senza GPS - con Navi Originale e Ampli (adattatore in dotazione)

Processore 4core 1.8ghz - Android 4.4



MIRRORLINK IOS-ANDROID



GPS



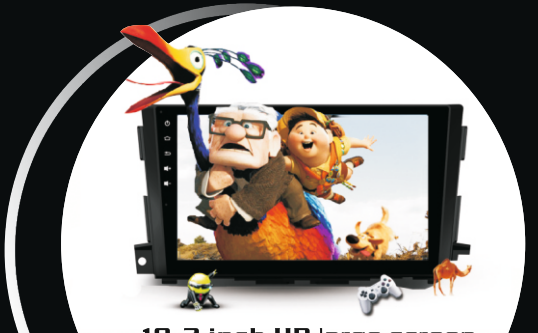
Prima & Dopo



HS HD split pad series



10 Innovations



10.2 inch HD large screen with high resolution (1080P+) display.

Easy Link



Easy Link 4.0 with cellphone, supports two way app control mirror link or Airplay.

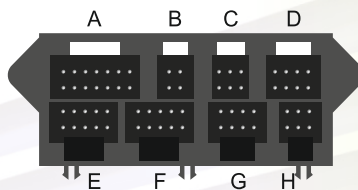


Brilliant Android **OS 4.4/5.1**, supports plenty of Google App downloading.

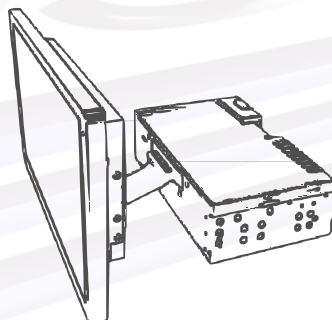


Super Hardware performance Quad Core, 1.6/1.8Ghz processor, Samsung DDR RAM 1G, Built in 16G storage space, Support external 64G SD card as well as harddisk.

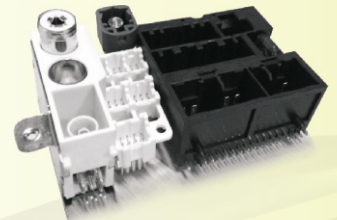
Voice Assistant
Voice control enables safety and comfortable driving, just operate the unit by **voice guidance** when driving.



66 pin connector provides more flexible extensions for multiple performances-supports additional functions like **ADAS, digital TV(dvb-T, isdb-t) iPod, DVR, GPRS** without replacing the units.



Split- body with front panel makes the fit to original car more reliable and convenient.



Original car sockets enables installation of the unit easier, quicker with **zero** mistake.



Multi navigation system
Support 3D real view map navigation with Open GLES 2.0 sys. Support multi navigation system like GPS, GLONASS etc.



Surf Internet & GPS tracking in car, Support 4G and wifi, easy to enjoy internet surf.