

# HARDSTONE



# SERIE «HD»

## 1.8Ghz

Designed & Engineered in Italy



# GPS 10.2"



## HS HD1008

### Nissan Qashqai - X-Trail (2013)

- SINTOLETTORE DECKLESS SISTEMA ANDROID 4.4
- 1.8GHZ QUAD CORE - DDR3 1GB - 16GB ROM - RADIO - GPS - BLUETOOTH 4.0 - A2DP
- LETTORE AV USB SD CARD - AUDIO:MP3-WMA-WAV-OGG-FLAC
- VIDEO:MP4 1080P-AVI-WMV-RMVB-FLV-MKV-MOV-3GP-1080P H.265-264-MPG
- 180W (4X45W) - REGOLAZIONE SEPARATA VOLUMI AUDIO - EQ 7 MEMORIE
- LCD 10.2" 1024X600 - INGRESSO RETROCAMERA
- CANBUS BOX - COMANDI AL VOLANTE - ANDROID & IOS MIRROR LINK (E-CARLINK)
- RUBRICA TELEFONICA CON RICERCA ALFANUMERICA
- PREDISPOSTO: DVR DEDICATO - TPMS (PRESSIONE PNEUMATICI)
- FULL TOUCHSCREEN - WIFI - 3G-4G

### Wi-Fi



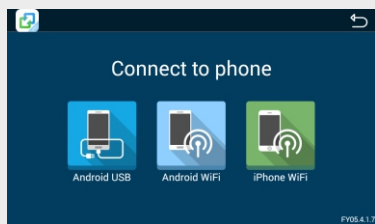
Caratteristiche:

Unità esteticamente creata su base originale (custom fit) e compatibile con le funzioni della vettura.  
Riporta Data & Orario sul display - Versione base senza GPS (All. Acenta)

## Processore 4core 1.8ghz - Android 4.4



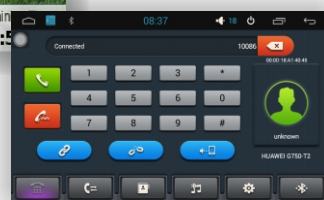
### MIRRORLINK IOS-ANDROID



### GPS



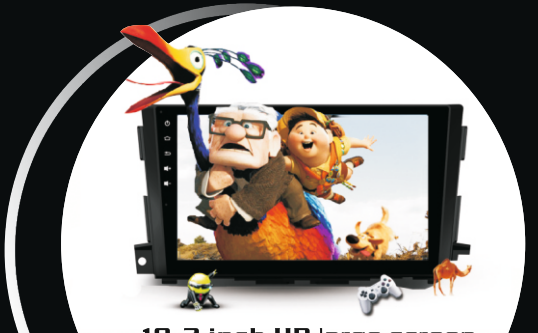
### Prima & Dopo



# HS HD split pad series



## 10 Innovations



**10.2 inch HD** large screen with high resolution (1080P+) display.

### Easy Link



**Easy Link 4.0** with cellphone, supports two way app control mirror link or Airplay.

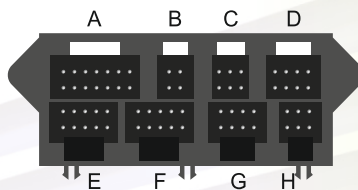


Brilliant Android **OS 4.4/5.1**, supports plenty of Google App downloading.

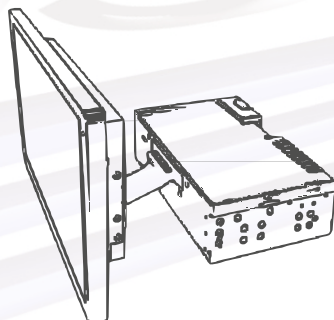


**Super Hardware performance Quad Core**, 1.6/1.86ghz processor, Samsung DDR RAM 16, Built in 16G storage space, Support external 64G SD card as well as harddisk.

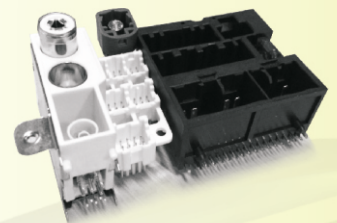
**Voice Assistant**  
Voice control enables safety and comfortable driving, just operate the unit by **voice guidance when driving**.



**66 pin connector** provides more flexible extensions for multiple performances-supports additional functions like **ADAS, digital TV(dvb-T, isdb-t) iPod, DVR, GPRS** without replacing the units.



**Split- body** with front panel makes the fit to original car more reliable and convenient.



**Original car sockets** enables installation of the unit easier, quicker with **zero** mistake.



**Multi navigation system**  
Support 3D real view map navigation with Open GLES 2.0 sys. Support multi navigation system like GPS, GLONASS etc.



**Surf Internet & GPS tracking in car**, Support 4G and wifi, easy to enjoy internet surf.