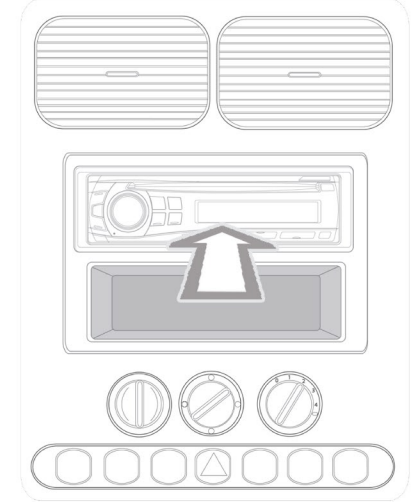
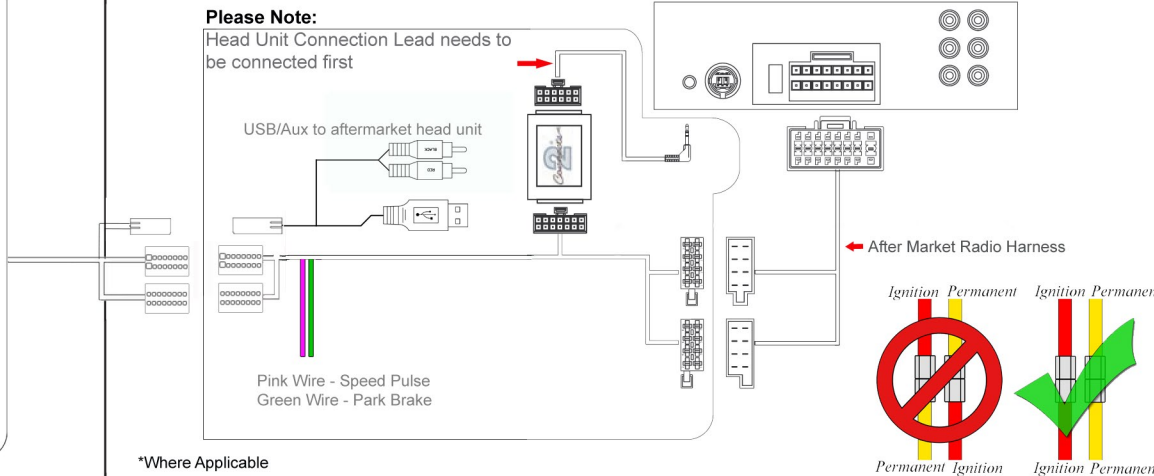
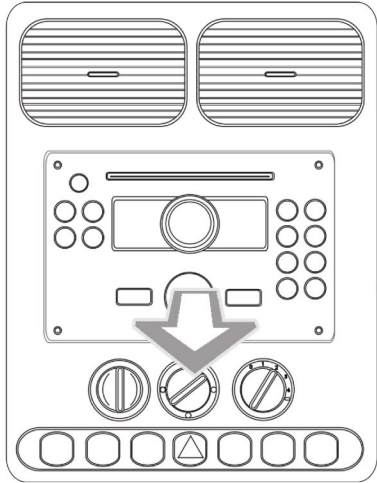


Installation Guide

Part No: **CTSNS009.2**

Nissan CAN-Bus Steering Wheel Control Interface



Vehicle Compatibility:

Qashqai 2014>
(Visia Model Only)

Steering Wheel Control Functions



Setting Vehicle Time

Press and hold 'Enter' for 8 seconds. Use 'Track -' to change hours and 'Track +' to change minutes. Short press enter to set the time, or press and hold 'Enter' to exit the menu without saving changes.

* Note All Dates are guide lines only as specifications of vehicles change